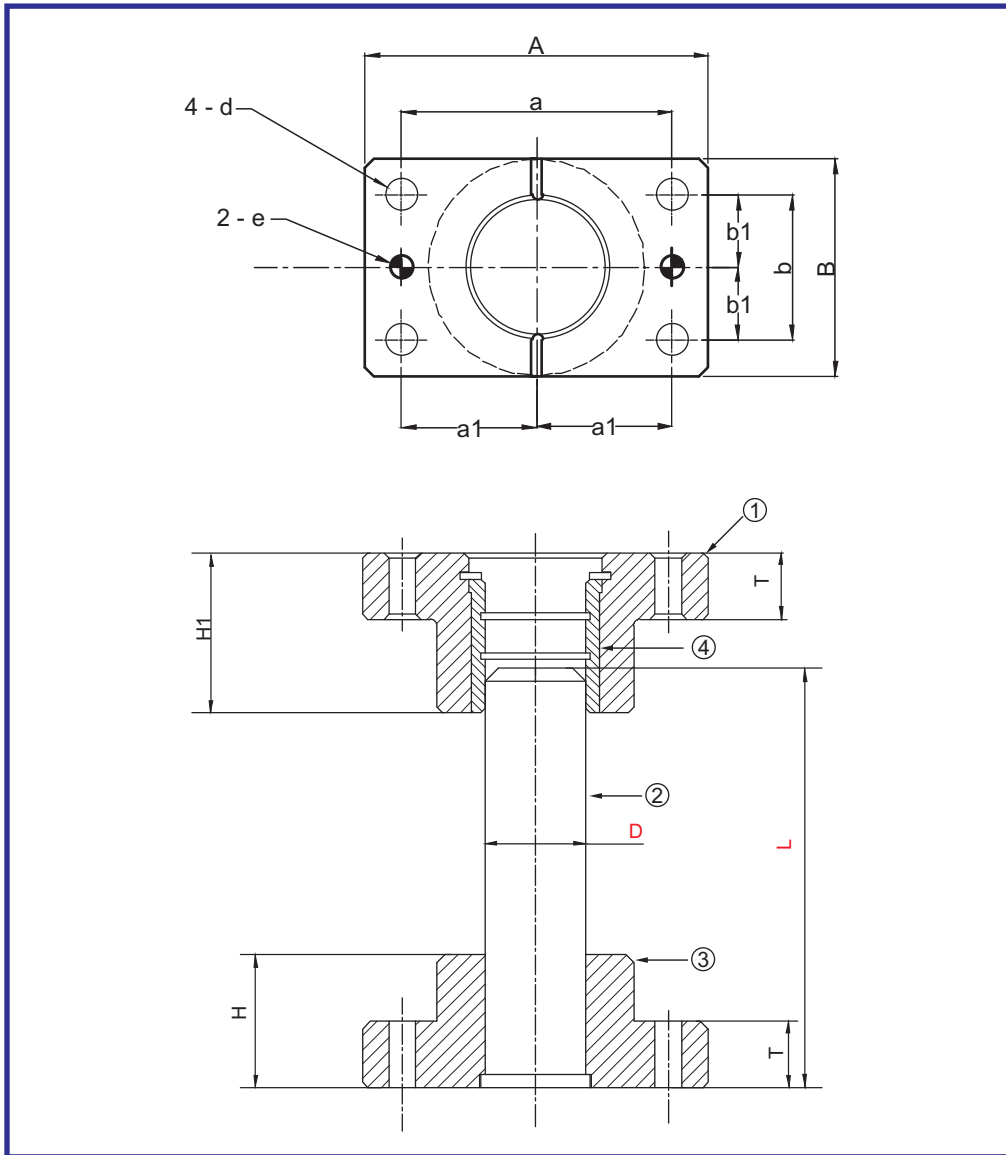


► Plain Guide Post with Dowel Hole & Harden Sleeve (DEMH - O / DEMH - OL)



Material :-

- 1) FG 260
- 2) C 45
- 3) FG 260
- 4) EN 353

Hardness :-

Pillar - 53 to 55 HRC

O - Oil Type

OL - Oilless Type

CODE Type	Dia D	A	B	a	a1	b	b1	H	H1	T	eh7	Dia d
		±1	±1	±0.015		±0.015		±1	±1	±0.5	+0.2	0.015
DEMH	20	74	44	56	28	30	15	30	40	15	6	6.6
DEMH	25	84	48	66	33	30	15	30	45	20	8	9
DEMH	30	100	58	76	38	36	18	40	50	20	8	11
DEMH	32	100	58	76	38	36	18	40	50	20	8	11
DEMH	36	130	75	100	50	44	22	50	60	25	10	11
DEMH	38	130	75	100	50	44	22	50	60	25	10	11
DEMH	40	130	75	100	50	44	22	50	60	25	10	11
DEMH	48	155	90	125	62.5	60	30	65	85	25	10	14
DEMH	50	155	90	125	62.5	60	30	65	85	25	10	14
DEMH	60	190	120	150	75	80	40	75	100	30	13	18
DEMH	80	230	150	180	90	110	55	100	130	35	16	22

Order Type : Code - Type Dia (D) X Pillar Length

Example : DEMH - OL 32 X 200

Note : Kindly refer Page No.115 for Guide Post Length